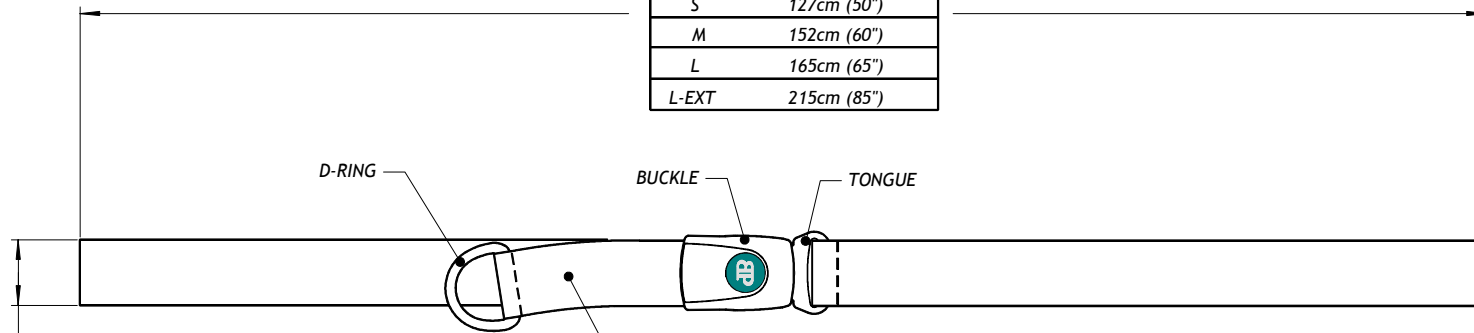


TOTAL LENGTH  
(NOT INCLUDING ADDITIONAL ADJUSTMENT)

S	127cm (50")
M	152cm (60")
L	165cm (65")
L-EXT	215cm (85")



WEBBING WIDTH

S	2.5cm (1")
M	4cm (1-1/2")
L	5cm (2")
L-EXT	5cm (2")

ADDITIONAL ADJUSTMENT

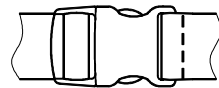
S	11.5cm (4-1/2")
M	15cm (6")
L	18cm (7")
L-EXT	20.5cm (8")



PUSH-BUTTON

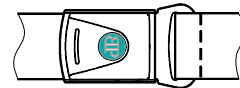
SIZE	PART NUMBER
S	N/A
M	NB205M
L	NB205L

BARIATRIC SIZE	PART NUMBER
L-EXT	NB205L-EXT



PLASTIC SIDE-RELEASE

SIZE	PART NUMBER
S	NB215S
M	NB215M
L	NB215L



REHAB LATCH

SIZE	PART NUMBER
S	N/A
M	NB225M
L	NB225L

TO COMPLETE YOUR PART NUMBER, SELECT THE END-FITTING OPTION BELOW:



FLAT-MOUNT™  
END FITTING PART NUMBERS

S (1")	HKA1-R-1
M (1-1/2")	HKA1-G-1
L (2")	HKA1-B-1



CINCH-MOUNT™  
END FITTING PART NUMBERS

S (1")	HKA2-R-1
M (1-1/2")	HKA2-G-1
L (2")	HKA2-B-1

note

description

**HIP BELT, NON PADDED, TECHNICAL SPECS**

drawing no.

**D11-0920-30**

date originated

9/20/2011

drawn by

D. HAGAN

rev.

**C**